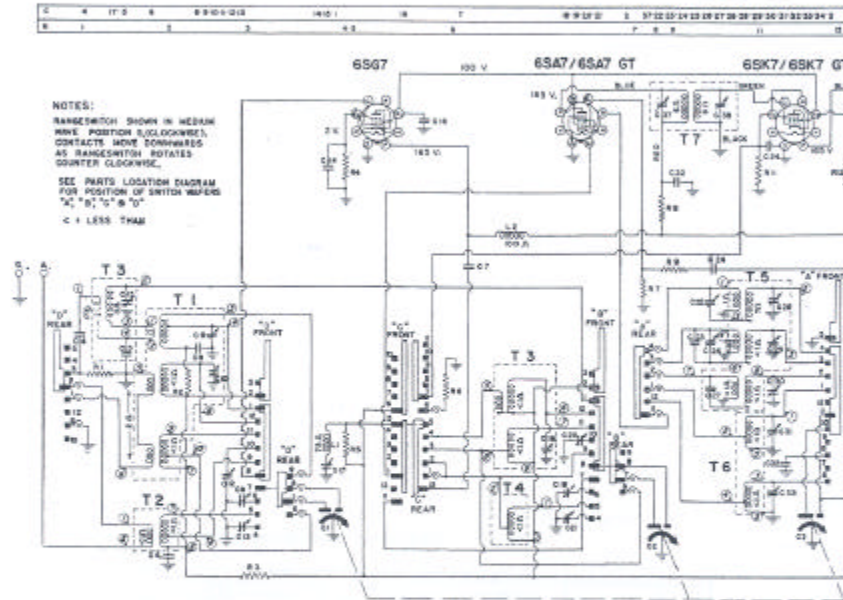


Localização dos pontos de ajuste

# SELEÇÕES DE RÁDIO N.º 108- ESQUEMAS-

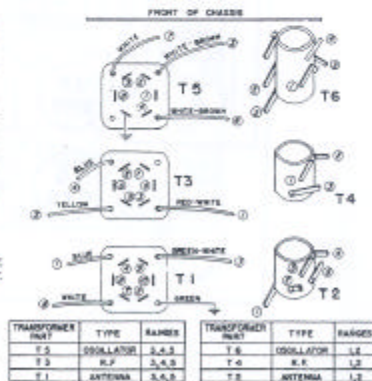
PHILIPS PORTUGUESA S. A. R. L. - Service

PHILIPS 389 AN



NOTES:  
RANGESWITCH SHOWN IN MEDIUM  
WAVE POSITION 5 (CLOCKWISE).  
CONTACTS MOVE DOWNWARD  
AS RANGESWITCH ROTATES  
COUNTER CLOCKWISE.  
SEE PARTS LOCATION DIAGRAM  
FOR POSITION OF SWITCH WAFERS  
"A", "B", "C", "D", "E", "F", "G"  
C = LESS THAN

- |                            |                           |                              |
|----------------------------|---------------------------|------------------------------|
| C 1 } VARIABLE             | C 29 20M $\mu$ F TRIMMER  | R 1 100K, 5W                 |
| C 2 3 GANG                 | C 30 37M $\mu$ F TRIMMER  | R 2 100K, 5W                 |
| C 3 0.001 MF 600V          | C 31 19 M $\mu$ F TRIMMER | R 3 100K, 5W                 |
| C 4 .002 MF 600V           | C 32 50 M $\mu$ F CERAMIC | R 4 270, 5W                  |
| C 5 4500M $\mu$ F MICA     | C 33 58 M $\mu$ F TRIMMER | R 5 10K, 5W                  |
| C 6 .05 MF 200 V           | C 34 2 MF 200 V           | R 6 270, 5W                  |
| C 7 50M $\mu$ F MICA       | C 35 .1 MF 400V           | R 7 22K, 5W                  |
| C 8 4500 M $\mu$ F MICA    | C 36 .05M $\mu$ F 200V    | R 8 1K, 5W                   |
| C 9 8M $\mu$ F TRIMMER     | C 37 .1                   | R 9 10, 5W                   |
| C 10 7 M $\mu$ F TRIMMER   | C 38 .1                   | R 10 1M $\Omega$ , 5W        |
| C 11 8 M $\mu$ F TRIMMER   | C 39 .2M $\mu$ F          | R 11 2.2K, 5W                |
| C 12 1 M $\mu$ F TRIMMER   | C 40 .1                   | R 12 8.2K, 2W                |
| C 13 20M $\mu$ F TRIMMER   | C 41 100 M $\mu$ F MICA   | R 13 270K, 5W                |
| C 14 .05M $\mu$ F 400V     | C 42 .01 MF 400V          | R 14 47K, 5W                 |
| C 15 12 M $\mu$ F TRIMMER  | C 43 .002M $\mu$ F 600V   | R 15 2.2 M $\Omega$ , 5W     |
| C 16 .1 MF 400V            | C 44 .01 MF 400V          | R 16 1 M $\Omega$ , 5W       |
| C 17 7 M $\mu$ F TRIMMER   | C 45 250 M $\mu$ F MICA   | R 17 15 M $\Omega$ , 5W      |
| C 18 8 M $\mu$ F TRIMMER   | C 46 .004 MF 400V         | R 18 220K, 5W                |
| C 19 1 M $\mu$ F TRIMMER   | C 47 .01 MF 400V          | R 19 56K, 5W                 |
| C 20 8 M $\mu$ F TRIMMER   | C 48 .005 MF 600V         | R 20 9 M $\Omega$ VOL. CONT. |
| C 21 9 M $\mu$ F TRIMMER   | C 49 20 MF 400V           | R 21 600K TONE CONT.         |
| C 22 .05M $\mu$ F 400V     | C 50 40 MF 400 V          | R 22 220K, 5W                |
| C 23 .001 MF MICA          | C 51 40 MF 400 V          | R 23 470K, 5W                |
| C 24 50M $\mu$ F MICA      |                           | R 24 2.2K, 2 W               |
| C 25 362 M $\mu$ F ROSE    |                           | R 25 18K, 2 W                |
| C 26 317 M $\mu$ F TRIMMER |                           | R 26 270 1 W                 |
| C 27 .007 M $\mu$ F MICA   |                           | R 27 56, 5W                  |
| C 28 14 M $\mu$ F TRIMMER  |                           | R 28 1M $\Omega$ , 5W        |



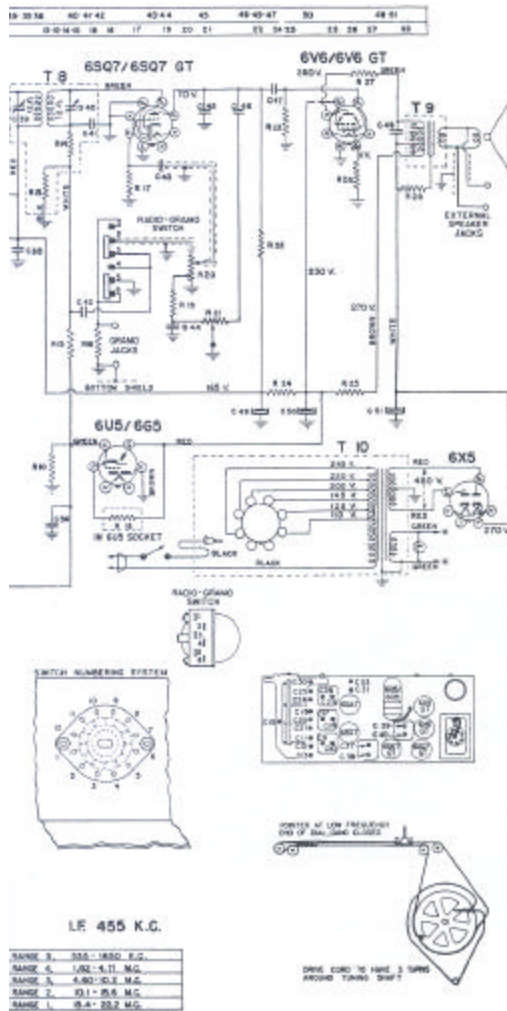
# ARQUIVO TÉCNICO

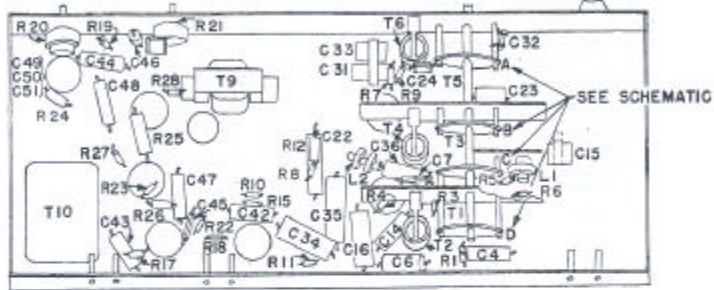
## 09

Receptor de radiodifusão sonora  
PHILIPS tipo 389 AN



- F. I. — 455 kHz
- Potência de saída — 3,5 W
- Altifalante — 8"
- Alimentação — 110 a 245 V (40 a 100 Hz)
- Consumo — 65 W





Localização dos componentes

TYPE

389A N

NO.

66475

PHILIPS

MADE IN U.S.A.

100/250 V

40-100

C/S

55